


XFMRS

ENG-004 REV. B

ENGINEERING		SAMPLE TEST DATA							COMPONENT DESCRIPTION					
CUSTOMER NAME:									XFMRS P/N: XF0013Q4A					
TESTED BY: 吴伟		DATE: 2025/11/25	LOT SIZE: 10PCS					REV.: A/6						
APPROVED BY: Weng		DATE: 05.11.23	SAMPLE SIZE: 10PCS					CUSTOMER P/N:						
TEST EQUIPMENT		LCR METER AGILENT 4263B (D0097)						TEST CONDITION		F: 100KHz				
		HI-POT TESTER CJ2672 (D0152)								V: 50mV				
		WK PMA-3260B (F0352)												
		AGILENT 8712ES RF NETWORK ANALYZER(D0273)												
PARAMETERS		OCL	OCL	OCL	OCL	OCL	OCL	OCL	OCL	HI-POT	PRI			
		1-2	9-10	11-12	19-20	38-36	35-33	28-26	25-23		SEC			
SPECIFICATION	Max										1500			
	Min	1.20	1.20	1.20	1.20	1.20	1.20	1.20	1.20					
	Unit	mH	mH	mH	mH	mH	mH	mH	mH		Vrms			
	1	1.75	1.59	1.69	1.53	1.68	1.55	1.49	1.60		OK			
	2	1.80	1.49	1.48	1.43	1.77	1.68	1.58	1.52		OK			
	3	1.75	1.48	1.46	1.46	1.62	1.74	1.59	1.62		OK			
	4	1.82	1.62	1.59	1.68	1.79	1.54	1.67	1.74		OK			
	5	1.64	1.74	1.58	1.53	1.77	1.64	1.83	1.63		OK			
	6	1.59	1.65	1.60	1.48	1.75	1.74	1.75	1.74		OK			
	7	1.79	1.60	1.46	1.56	1.68	1.53	1.60	1.82		OK			
	8	1.68	1.54	1.48	1.39	1.69	1.70	1.84	1.59		OK			
	9	1.53	1.59	1.62	1.57	1.64	1.69	1.85	1.62		OK			
	10	1.69	1.48	1.65	1.49	1.59	1.59	1.75	1.59		OK			
PPK		0.9435	0.2297											
REMARKS														

XFMRs

ENG-004 REV. B

ENGINEERING	SAMPLE TEST DATA				COMPONENT DESCRIPTION			
CUSTOMER NAME:				XFMRs P/N: XF0013Q4A				
TESTED BY: 吴伟				DATE: 2025/11/23	LOT SIZE: 10PCS	REV.: A/6		
APPROVED BY: Weng				DATE: 05.11.23	SAMPLE SIZE: 10PCS	CUSTOMER P/N:		
						PAGE #: 2 OF 6		

TEST EQUIPMENT	LCR METER AGILENT 4263B (D0097)								TEST CONDITION	F: 100KHz			
	HI-POT TESTER CJ2672 (D0152)									V: 50mV			
	WK PMA-3260B (F0352)												
	AGILENT 8712ES RF NETWORK ANALYZER(D0273)												

PARAMETERS	TR	40-39	32-31	30-29	22-21	3-5	6-8	13-15	16-18				
		1-2	9-10	11-12	19-20	38-36	35-33	28-26	25-23				
SPECIFICATION Max		2:1	2:1	2:1	2:1	2CT:1	2CT:1	2CT:1	2CT:1				
Min		+/-2%	+/-2%	+/-2%	+/-2%	+/-2%	+/-2%	+/-2%	+/-2%				
Unit													
1		2.00	2.00	2.00	2.00	2.00	2.00	2.00	2.00				
2		2.00	2.00	2.00	2.00	2.00	2.00	2.00	2.00				
3		2.00	2.00	2.00	2.00	2.00	2.00	2.00	2.00				
4		2.00	2.00	2.00	2.00	2.00	2.00	2.00	2.00				
5		2.00	2.00	2.00	2.00	2.00	2.00	2.00	2.00				
6		2.00	2.00	2.00	2.00	2.00	2.00	2.00	2.00				
7		2.00	2.00	2.00	2.00	2.00	2.00	2.00	2.00				
8		2.00	2.00	2.00	2.00	2.00	2.00	2.00	2.00				
9		2.00	2.00	2.00	2.00	2.00	2.00	2.00	2.00				
10		2.00	2.00	2.00	2.00	2.00	2.00	2.00	2.00				

REMARKS	
---------	---


XFMRS

ENG-004 REV. B

ENGINEERING	SAMPLE TEST DATA							COMPONENT DESCRIPTION						
CUSTOMER NAME:							XFMR P/N: XF0013Q4A							
TESTED BY: 吴伟							DATE: 2005/11/23	LOT SIZE: 10PCS	REV.: A/6					
APPROVED BY: Weng							DATE: 05.11.23	SAMPLE SIZE: 10PCS	PAGE #: 3 OF 6					

TEST EQUIPMENT	LCR METER AGILENT 4263B (D0097)								TEST CONDITION	F: 100KHz			
	HI-POT TESTER CJ2672 (D0152)									V: 50mV			
	WK PMA-3260B (F0352)												
	AGILENT 8712ES RF NETWORK ANALYZER(D0273)												

PARAMETERS	CW/W	CW/W	CW/W	CW/W	CW/W	CW/W	CW/W	CW/W	CW/W				
	1-40	3-38	6-35	9-32	11-30	13-28	16-25	19-22					
SPECIFICATION Max	35	35	35	35	35	35	35	35					
Min													
Unit	pF	pF	pF	pF	pF	pF	pF	pF					
1	15.2	24.3	21.6	16.3	16.5	20.3	20.9	16.6					
2	14.9	21.6	19.2	15.1	18.7	19.5	16.9	15.9					
3	13.5	15.9	20.8	15.4	12.7	20.6	19.8	18.9					
4	18.9	21.8	18.5	17.5	13.6	17.3	20.3	19.2					
5	16.6	17.4	21.5	13.9	15.8	20.6	20.4	17.6					
6	15.7	15.2	19.3	16.1	14.1	21.3	21.6	16.5					
7	16.2	20.1	20.6	15.5	18.6	21.6	22.5	16.9					
8	17.8	17.8	20.8	17.8	17.6	19.6	24.8	19.6					
9	17.2	16.2	20.4	19.6	17.0	18.9	19.6	19.4					
10	16.6	17.4	19.4	20.6	16.9	19.2	16.9	17.5					
PPK	1.4325	1.2576											

REMARKS: 

XFMRS


ENG-004 REV. B

ENGINEERING	SAMPLE TEST DATA						COMPONENT DESCRIPTION						
CUSTOMER NAME:						XFMRS P/N: XF0013Q4A							
TESTED BY: 吴伟						DATE: 2025/11/25		LOT SIZE: 10PCS		REV.: A/6			
APPROVED BY: Weng						DATE: 05.11.23		SAMPLE SIZE: 10PCS		PAGE #: 4 OF 6			

TEST EQUIPMENT	LCR METER AGILENT 4263B (D0097)								TEST CONDITION	F: 100KHz			
	HI-POT TESTER CJ2672 (D0152)									V: 50mV			
	WK PMA-3260B (F0352)												
	AGILENT 8712ES RF NETWORK ANALYZER(D0273)												

PARAMETERS		I.L.	LL	LL	I.L.	LL	LL	I.L.	LL	DCR	DCR	DCR	DCR
		1-2	9-10	11-12	19-20	38-36	35-33	28-26	25-23	1-2	3-5	6-8	9-10
SPECIFICATION	Max	0.6	0.6	0.6	0.6	0.60	0.60	0.60	0.60	0.90	1.30	1.30	0.90
	Min												
	Unit	uH	uH	uH	uH	uH	uH	uH	uH	uH	Ohms	Ohms	Ohms
	1	0.19	0.17	0.19	0.15	0.16	0.19	0.23	0.21	0.45	1.00	1.00	0.49
	2	0.16	0.15	0.18	0.13	0.12	0.20	0.16	0.16	0.38	1.03	1.03	0.46
	3	0.15	0.14	0.17	0.16	0.13	0.16	0.18	0.21	0.46	1.01	1.02	0.48
	4	0.16	0.16	0.16	0.21	0.43	0.18	0.19	0.20	0.52	1.02	1.02	0.47
	5	0.21	0.16	0.20	0.23	0.15	0.20	0.20	0.22	0.47	1.04	1.01	0.45
	6	0.15	0.18	0.21	0.16	0.14	0.21	0.23	0.16	0.55	1.02	1.03	0.46
	7	0.23	0.21	0.17	0.15	0.16	0.19	0.24	0.19	0.42	0.99	1.05	0.48
	8	0.16	0.19	0.23	0.20	0.19	0.16	0.16	0.17	0.46	1.01	1.04	0.49
	9	0.25	0.18	0.19	0.23	0.10	0.20	0.20	0.21	0.45	1.00	1.02	0.47
	10	0.27	0.19	0.18	0.24	0.16	0.23	0.22	0.18	0.38	1.05	1.00	0.47
	PPK	0.9435	0.2297										

REMARKS



XFMRS


ENG-004 REV. B

ENGINEERING	SAMPLE TEST DATA					COMPONENT DESCRIPTION		
						XFMRS P/N: XF0013Q4A		
						REV.: A/6		
CUSTOMER NAME:						CUSTOMER P/N:		
TESTED BY:	吴伟	DATE:	2005/11/28	LOT SIZE:	10PCS	PAGE #: 5 OF 6		
APPROVED BY:	Weng	DATE:	05.11.23	SAMPLE SIZE:	10PCS			

TEST EQUIPMENT	LCR METER AGILENT 4263B (D0097)							TEST CONDITION						
	HI-POT TESTER CJ2672 (D0152)								F:	100KHz				
	WK PMA-3260B (F0352)								V:	50mV				
	AGILENT 8712ES RF NETWORK ANALYZER(D0273)													

PARAMETERS	DCR	DCR	DCR	DCR	DCR	DCR	DCR	DCR	DCR	DCR	DCR	DCR	DCR
	11-12	13-15	16-18	19-20	21-22	23-25	26-28	29-30	31-32	33-35	36-38	39-40	

SPECIFICATION	Max	0.90	1.30	1.30	0.90	1.30	0.90	0.90	1.30	1.30	0.90	0.90	1.30
	Min												
	Unit	Ohms	Ohms	Ohms	Ohms	Ohms	Ohms	Ohms	Ohms	Ohms	Ohms	Ohms	Ohms
	1	0.48	1.03	0.98	0.47	0.98	0.53	0.52	0.97	0.98	0.53	0.52	0.98
	2	0.49	1.03	1.03	0.45	0.97	0.56	0.53	0.94	0.95	0.52	0.51	0.96
	3	0.48	1.02	0.99	0.49	0.96	0.52	0.49	0.97	0.92	0.56	0.52	0.97
	4	0.47	1.01	1.03	0.46	0.95	0.57	0.51	0.95	0.97	0.55	0.53	0.98
	5	0.80	1.00	1.01	0.48	0.97	0.59	0.48	0.87	0.96	0.56	0.55	0.99
	6	0.50	1.05	0.99	0.47	0.99	0.53	0.48	0.88	0.98	0.53	0.54	0.95
	7	0.49	1.02	1.02	0.38	0.92	0.54	0.59	0.92	0.97	0.52	0.51	0.96
	8	0.52	1.03	1.05	0.49	0.97	0.52	0.49	0.88	0.95	0.51	0.54	0.97
	9	0.49	1.01	1.02	0.45	0.95	0.51	0.52	0.89	0.94	0.53	0.53	0.98
	10	0.50	1.00	0.99	0.49	0.93	0.53	0.53	0.94	0.93	0.54	0.51	0.99
	PPK	0.9435	0.2297										

REMARKS 

XFMRS

ENG-004 REV. B

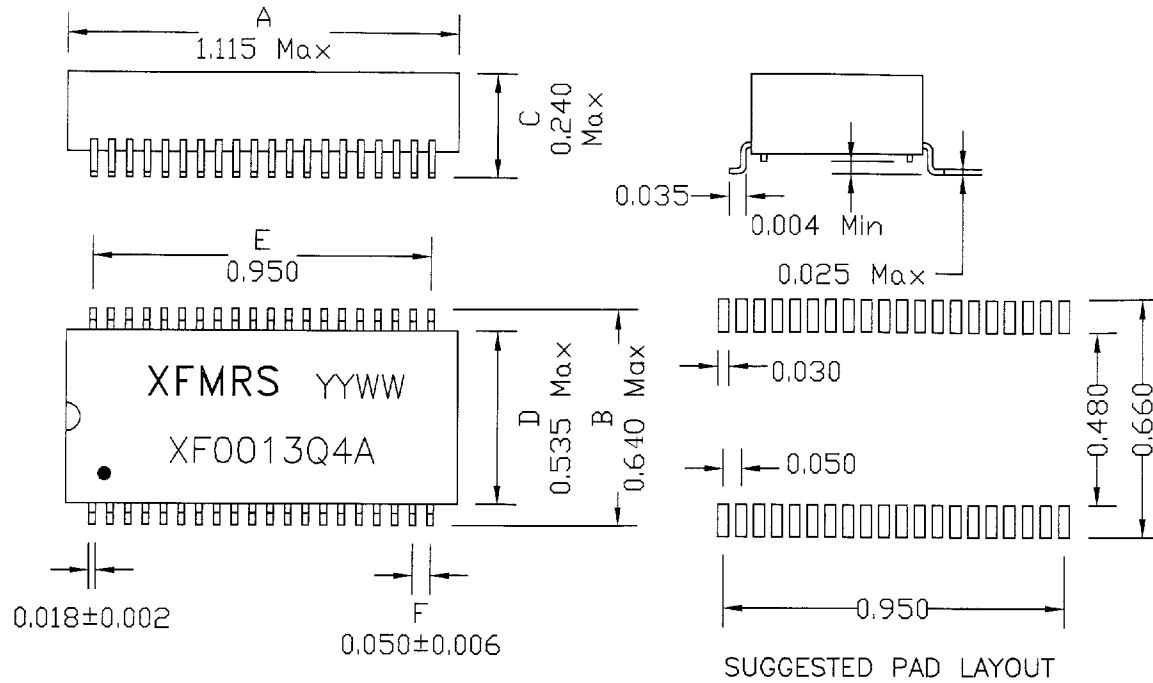
ENGINEERING	SAMPLE TEST DATA					COMPONENT DESCRIPTION			
						XFMRS P/N: XF0013Q4A			
						REV.: A/6			
CUSTOMER NAME:					CUSTOMER P/N:				
TESTED BY: 吴伟	DATE: 2005/11/25	LOT SIZE: 10PCS				PAGE #: 6 OF 6			
APPROVED BY: Weng	DATE: 05.11.23	SAMPLE SIZE: 10PCS							

TEST EQUIPMENT	DIGITAL CALIPER (F0351)					TEST CONDITION			

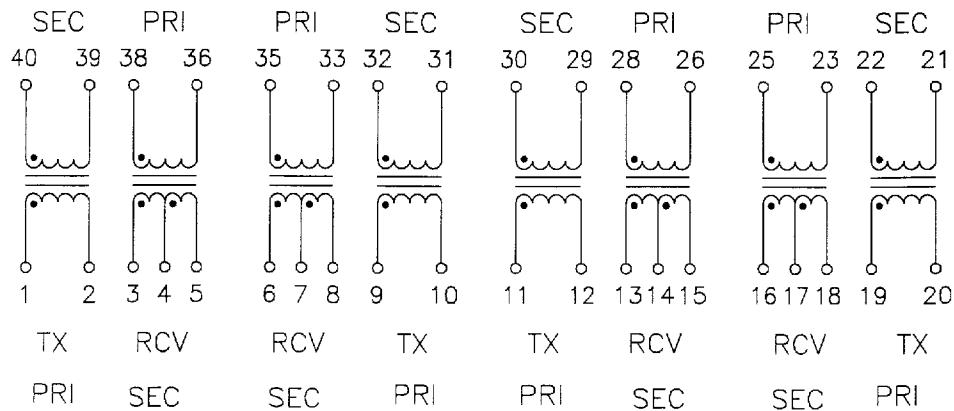
PARAMETERS		A	B	C	D	E	F						
SPECIFICATION	Max	1.115	0.640	0.240	0.535	0.960	0.056						
	Min					0.940	0.044						
	Unit	inch	inch	inch	inch	inch	inch						
	1	1.109	0.624	0.234	0.482	0.942	0.053						
	2	1.108	0.625	0.233	0.483	0.945	0.050						
	3	1.109	0.622	0.232	0.484	0.943	0.053						
	4	1.110	0.623	0.235	0.482	0.944	0.052						
	5	1.110	0.625	0.234	0.483	0.942	0.052						
	6	1.109	0.625	0.235	0.484	0.944	0.050						
	7	1.108	0.623	0.234	0.482	0.945	0.051						
	8	1.109	0.624	0.233	0.482	0.943	0.053						
	9	1.110	0.624	0.232	0.484	0.942	0.053						
	10	1.108	0.623	0.234	0.483	0.942	0.052						
	PPK	1.16986	1.14926	1.28183	0.8442	0.09045	1.58945						

REMARKS													
---------	---	--	--	--	--	--	--	--	--	--	--	--	--

1. Mechanical Dimensions:



2. Schematic:



DOC REV: A/6

3. Electrical Specifications: @25°C

Isolation: 1500Vrms, PRI to SEC

TX TURNS RATIO: 1:2±2% (PRI:SEC)

RCV TURNS RATIO: 1:2CT±2% (PRI:SEC)

TX PRI OCL: 1.20mH Min @100KHz 50mV

RCV PRI OCL: 1.20mH Min @100KHz 50mV

CW/W: 35pF Max @100KHz 50mV (PRI/SEC)

TX PRI LL: 0.6uH Max @100KHz 50mV, Short SEC

RCV PRI LL: 0.6uH Max @100KHz 50mV, Short SEC

PRI DCR: 0.900 Ohms Max

SEC DCR: 1.30 Ohms Max

Notes:

- Solderability: Leads shall meet MIL-STD-202, Method 208D for solderability.
- Flammability: UL94V-0
- ASTM oxygen index: > 28%
- Insulation System: Class F 155°C. UL file E151556
- Operating Temperature Range: All listed parameters are to be within tolerance from -40°C to +85°C
- Storage Temperature Range: -55°C to +125°C
- Aqueous wash compatible
- SMD Lead Coplanarity: ±0.004"(0.102mm)
- Moisture Sensitivity: Level 3
- Electrical and mechanical specifications 100% tested
- RoHS Compliant Component

XFMRS Inc www.XFMRS.com		Title: T1/E1/CEPT QUAD PORT	
UNLESS OTHERWISE SPECIFIED TOLERANCES: .xxx ±0.010 Dimensions in INCH	P/N: XFO013Q4A	REV. A	
	DWN.	罗振江	Jan-03-04
	CHK.	廖玉坤	Jan-03-04
SHEET 1 OF 1	APP.	Isaiah M	Jan-03-04

PROPRIETARY

Document is the property of XFMRS Group & is not allowed to be duplicated without authorization.