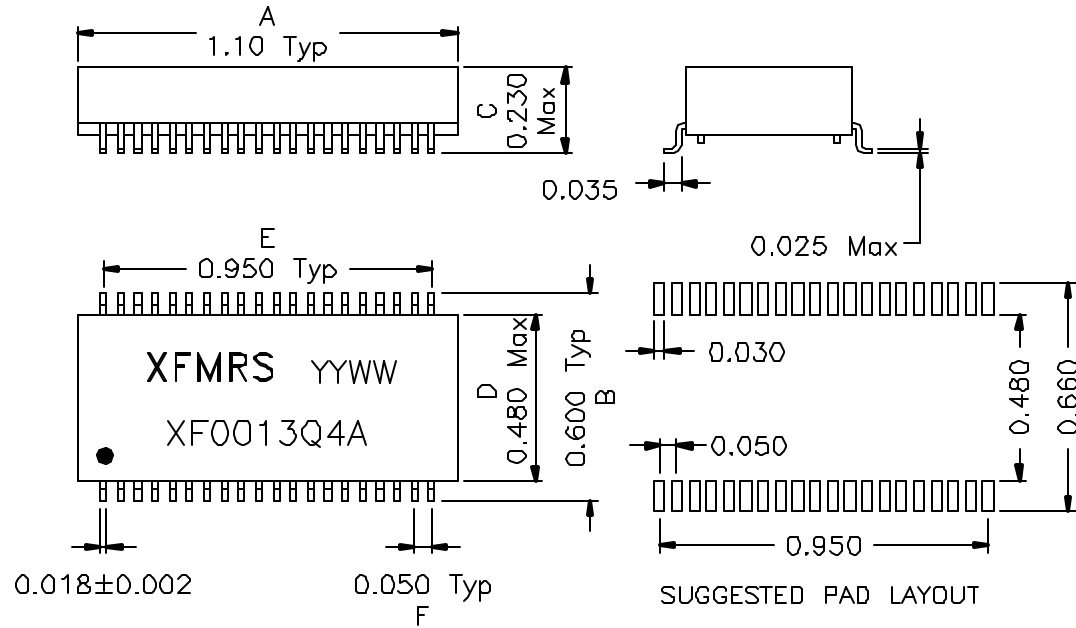
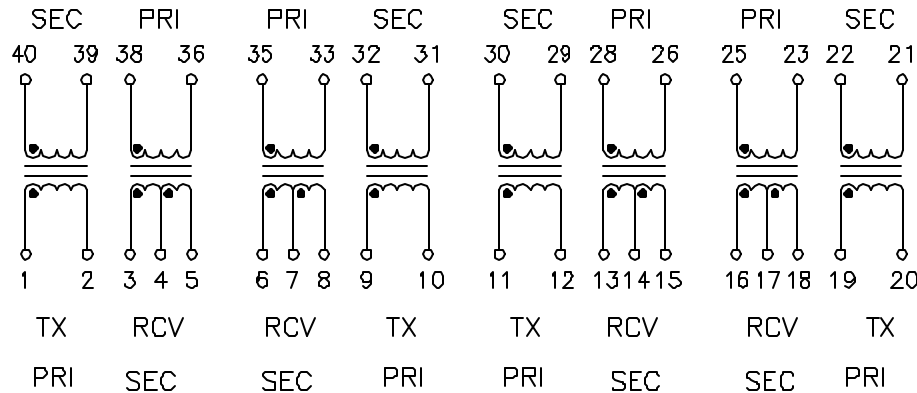


1. Dimensions:



2. Schematic:



DOC. REV. A/3

3. Electrical Specifications: @25°C

- Isolation: 1500 Vrms (PRI to SEC)
- TX Turns Ratio: 1:2 ±2% (PRI:SEC)
- RCV Turns Ratio: 1:2CT ±2% (PRI:SEC)
- TX PRI OCL: 1.20mH Minimum @100KHz 50mV
- RCV PRI OCL: 1.20mH Minimum @100KHz 50mV
- Cw/w: 35pF Maximum @100KHz 50mV (PRI/SEC)
- TX PRI LL: 0.6uH Maximum @100KHz 50mV (SEC Shorted)
- RCV PRI LL: 0.6uH Maximum @100KHz 50mV (SEC Shorted)
- PRI DCR: 0.9 Ohms Maximum
- SEC DCR: 1.3 Ohms Maximum

Note:

- Solderability: Leads shall meet MIL-STD-202, Method 208D for solderability.
- Flammability: UL94V-0,
- ASTM oxygen index: > 28% ,
- Temperature rating: 155°C. UL file E151556,
- Operating Temperature Range: -40°C to +85°C

XFMRS Inc	Title: T1/E1/CEPT QUAD PORT		
	UNLESS OTHERWISE SPECIFIED TOLERANCES: .xxx ±0.010 Dimensions in INCH		P/N: XF0013Q4A REV. A
	DWN.	廖玉坤	Feb-15-01
	CHK.	李清儿	Feb-15-01
	APP.	BW	Feb-20-01