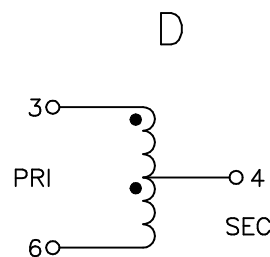
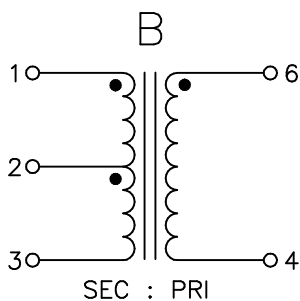
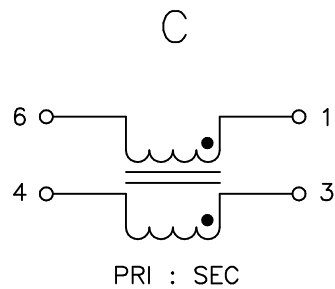
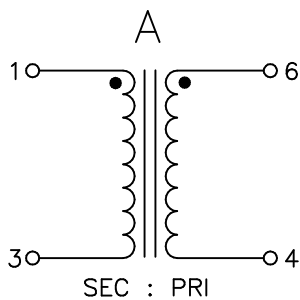


XFWBC Transformer Series

- * MINIATURE SURFACE MOUNT PACKAGE
- * VARIOUS IMPEDANCE RATIOS AVAILABLE
- * EXCELLENT INSERTION LOSS
- * IDEAL FOR BALANCED-TO-UNBALANCED APPLICATIONS
- * OPERATING TEMPERATURE: -40°C TO $+85^{\circ}\text{C}$

Part Number	Impedance Ratio Pri:Sec	Turns Ratio Pri:Sec	Bandwidth (MHz Typ)			Insertion Loss @ Midband (dB Typ)	Schematic	Primary Pins
			3dB	2dB	1dB			
XFWBC2038	$75\Omega : 75\Omega$	1:1	--	Up to 1500	4.5-1000	--	C	6-1
XFWBC2039	$50\Omega : 50\Omega$	1:1	--	Up to 1500	4.5-1000	--	C	6-1
XFWBC2040	1:1	1:1	1.5-500	2.5-400	5-350	0.9	A	4-6
XFWBC2043	1.5:1	$\sqrt{1.5}:1$	--	--	1-1000	0.2	D	3-6
XFWBC2047	1:4CT	1:2CT	--	0.5-300	1.5-100	0.24	B	4-6
XFWBC0400400	1:1	1:1	5-140	6-130	7-80	1.5	B	4-6
XFWBC0550550	1:1	1:1	5-100	5-65	20-65	1.0	C	6-1

Schematics:

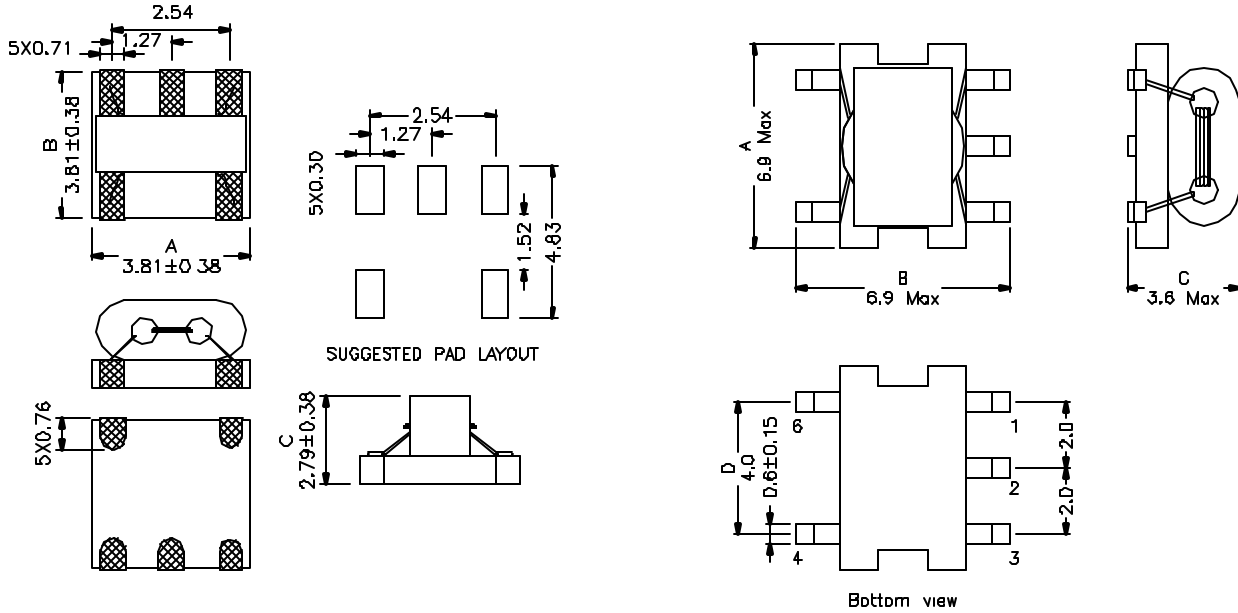


XFwBC Series Transformer

Mechanical Dimensions:

XFwBC2038, XFwBC2039, XFwBC2040,
XFwBC2043, XFwBC2047

XFwBC0400400



XFwBC0550550

