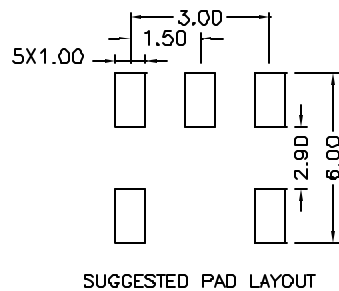
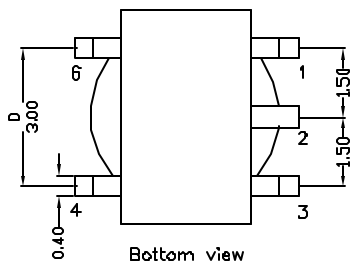
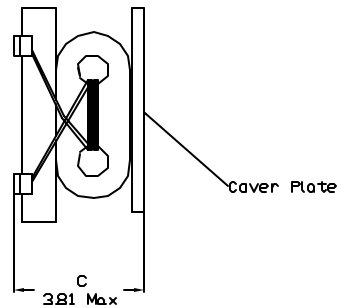
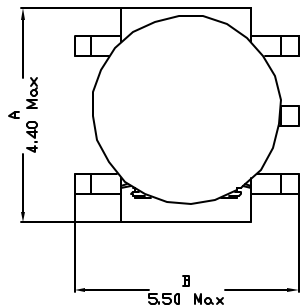
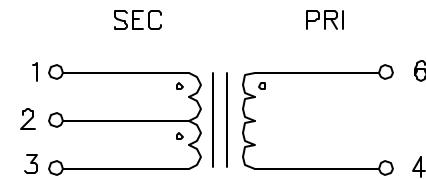


## 1. Mechanical Dimensions:



## 2. Schematic:



## 3. Electrical Specifications: @25°C

Impedance Ratio: PRI:SEC = 1:4CT  
 Turns Ratio: PRI:SEC = 1:2CT  
 Insertion Loss: 0.70dB Max @50-65MHz  
 Insertion Loss: 1.20dB Max @65-200MHz  
 Phase Balance: 2.0° Max@5-65MHz  
 Phase Balance: 0.05° Max@65-200MHz  
 Return Loss: 15dB Min @5-65MHz  
 Return Loss: 7.0dB Min @65-200MHz

### Notes:

1. Solderability: Leads shall meet MIL-STD-202C, Method 208H for solderability.
2. Flammability: UL94V-0
3. ASTM oxygen index: > 28%
4. Insulation System: Class F 155°C. UL file E151556
5. Operating Temperature Range: All listed parameters are to be within tolerance from -40°C to +85°C
6. Storage Temperature Range: -55°C to +125°C
7. Aqueous wash compatible
8. SMD Lead Coplanarity: ±0.004" (0.102mm)
9. Electrical and mechanical specifications 100% tested
10. RoHS Compliant Component

DOC. REV: A/2

<b>XFMRS Inc</b> www.XFMRs.com	Title: TRANSFORMER		
UNLESS OTHERWISE SPECIFIED TOLERANCES: ±0.25 Dimensions in MM	P/N: XFWBC2073A	REV. A	
	DWN.	廖玉坤	Feb-27-06
SHEET 1 OF 1	CHK.	李清儿	Feb-27-06
	APP.	MS	Feb-27-06