

ROCKER SWITCH MODEL MR-5 SERIES

RATING: 3A 250VAC (UL, CUL)

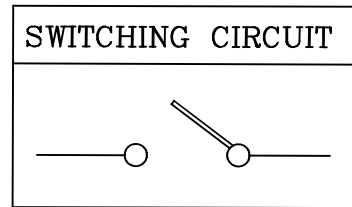
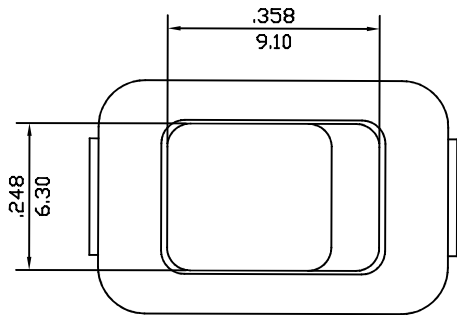
6A 125VAC (UL, CUL)

3A 250VAC~UT100 (VDE, ENEC, CQC) Δ

DIELECTRIC VOLTAGE-WITHSTAND: 1,000VAC FOR 1 MINUTE

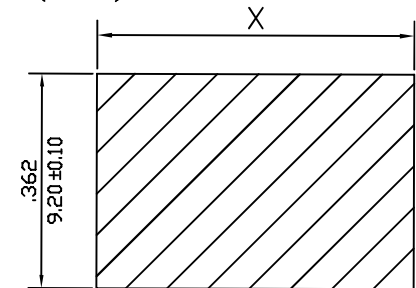
INSULATION RESISTANCE: DC 500V 100M Ω (MIN.)

CONTACT RESISTANCE: 20m Ω INITIAL (MAX.)

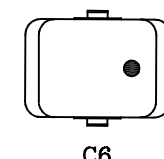
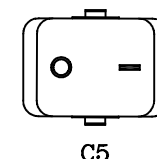
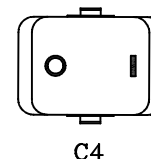
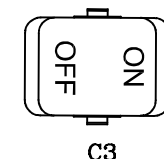
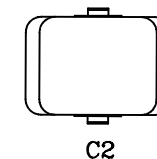
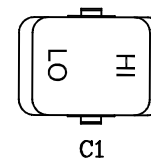
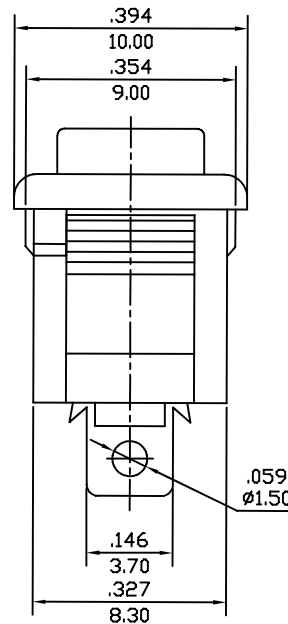
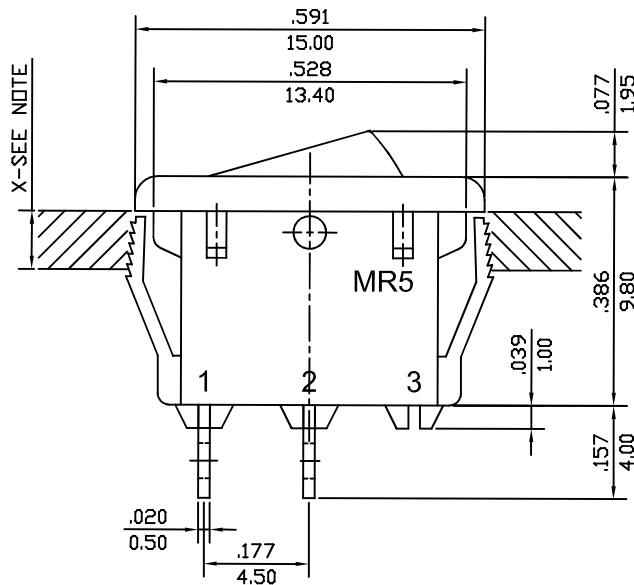


ON-OFF

X	Cutout Dimension	Panel Thickness
A	.535/13.6 ^{+0.00} _{-0.10}	0.75~1.25
B	.539/13.7 ^{+0.00} _{-0.10}	1.25~2.00
C	.543/13.8 ^{+0.00} _{-0.10}	2.00~2.50



MOUNTING HOLE



SCALE 2:3

NOTE: 1. TOLERANCES UNLESS OTHERWISE SPECIFIED: $\pm \frac{0.12}{0.3}$ (in/mm)

2. X MEANS FOR APPLICATION PANEL THICKNESS MUST BE UNDER 2.5mm

REVISION	DESCRIPTION	REVISED BY	TOLERANCES .X \pm .XX \pm ANGLE $\frac{1}{16}$				UNIT	mm	DWG NO
Δ 2007.03.01	修改料號	吳美玉	DRAWN BY	梁春林	DESIGNED BY	梁春林	SCALE	3:1	PART NO
Δ 2005.12.03	修改"RATING"內容,重新出圖.	夏毅							
Δ 2005.08.06	整理圖框,重新出圖	夏毅	CHECKED BY	APPROVED BY	DATE	2004.07.19	MR519-0Fxxx	S0463D	
Δ 2009.10.01	視圖刻字取消	吳美玉							

